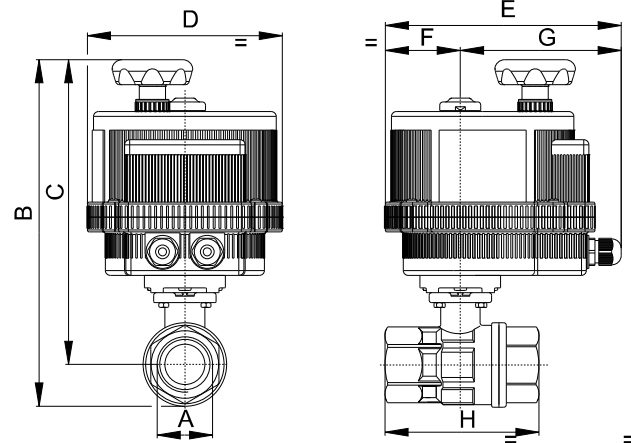


2 way chromed brass ball valve [art. 2500], threaded F/F, with electric actuator series 85, not suitable for use with solvents.(Self-Extinguish Technopolymer Enclosure)



Art. 8E014\*\*\*

PN	40	40	40	40	40	40	40	40	25	16	16
DN - A	1/4"	3/8"	1/2"	3/4"	1"	1"1/4	1"1/2	2"	2"1/2	3"	4"
B	192	192	192	197	213	221	289	308	360	382	435
C	175	175	175	177	188	191	252	262	303	314	352
D	123	123	123	123	123	123	157	157	185	185	211
E	164	164	164	164	164	164	191	191	215	215	237
F	43	43	43	43	43	43	61	61	68	68	84
G	121	121	121	121	121	121	130	130	147	147	153
H	67	67	67	76	90	102	114	138	165	188	225
ACT.	VB 015	VB 015	VB 015	VB 015	VB 015	VB 015	VB 030	VB 030	VB 060	VB 060	VB 110
RI	4017	4017	4017	4017	4017	4017	4016	4016	4021	4021	4021

*** VOLTAGE SUPPLY ORDER CODE		
12V AC/DC	24V AC/DC	100-240V AC
<b>+ 001</b>	<b>+ 002</b>	<b>+ 004</b>