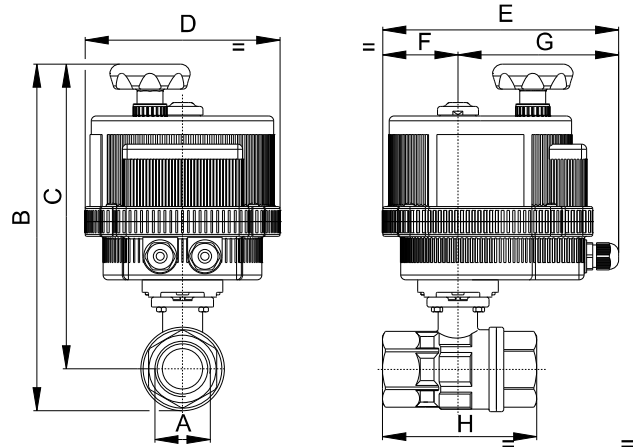


2 way chromed brass ball valve [art. 2530], stainless steel AISI 304 stem and ball, threaded F/F, with electric actuator series 85, for use with solvents. (Self-Extinguish Technopolymer Enclosure)



### Art. 8E046\*\*\*

PN	40	40	40	40	40	40	40	40
DN - A	1/4"	3/8"	1/2"	3/4"	1"	1"1/4"	1"1/2"	2"
B	192	192	192	197	213	221	289	308
C	175	175	175	177	188	191	252	262
D	123	123	123	123	123	123	157	157
E	164	164	164	164	164	164	191	191
F	43	43	43	43	43	43	61	61
G	121	121	121	121	121	121	130	130
H	67	67	67	76	90	102	114	138
ACT.	VB 015	VB 015	VB 015	VB 015	VB 015	VB 015	VB 030	VB 030
RI	4017	4017	4017	4017	4017	4017	4016	4016

*** VOLTAGE SUPPLY ORDER CODE		
12V AC/DC <b>+ 001</b>	24V AC/DC <b>+ 002</b>	100-240V AC <b>+ 004</b>