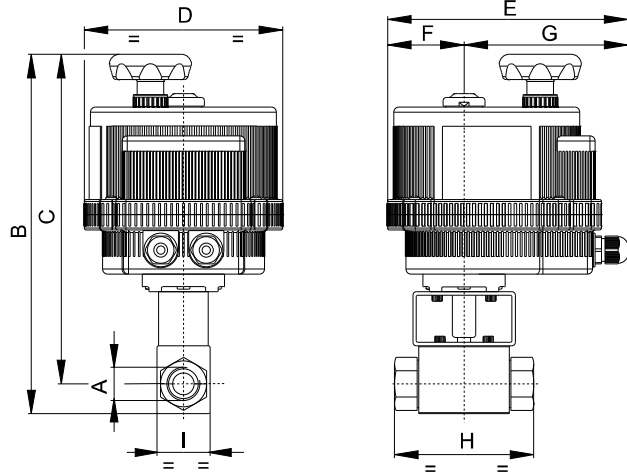


2 way ball valve, 9SMnPb36, F/F threaded, for high pressure, with electric actuator series 85. For hydraulic oil, emulsion. For particular applications, refer to sales department.(Self-Extinguish Technopolymer Enclosure)



**Art. 8E050\*\*\***

PN	500	500	400	350	350	350	350
DN - A	3/8"	1/2"	3/4"	1"	1"1/4	1"1/2	2"
B	268	271	283	320	366	380	387
C	250	253	260	291	319	326	330
D	157	157	157	185	211	211	222
E	191	191	191	215	237	237	247
F	61	61	61	68	84	84	77
G	130	130	130	147	153	153	170
H	73	83	95	112	115	131	140
I	35	37	45	55	88	102	118
ACT.	VB 030	VB 030	VB 030	VB 060	VB 110	VB 110	VB 270
RI	3740	3740	4037	4038	4027	4027	4019

*** VOLTAGE SUPPLY ORDER CODE		
12V AC/DC	24V AC/DC	100-240V AC
<b>+ 001</b>	<b>+ 002</b>	<b>+ 004</b>