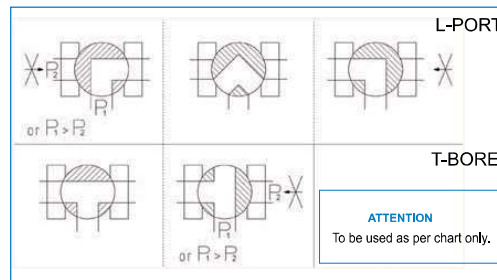
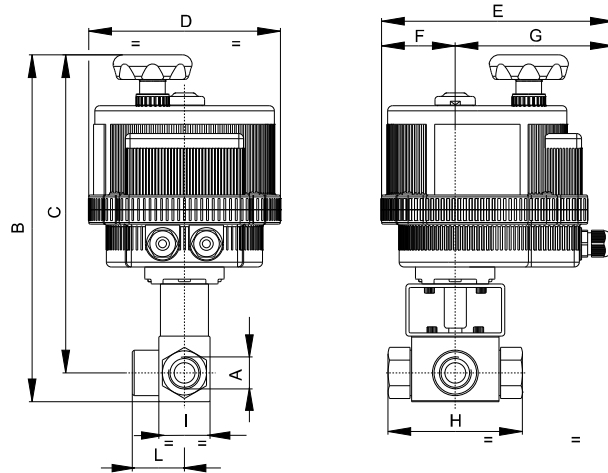


3 way ball valve, 9SMnPb36, "L" or "T" port, diverting only, F/F/F threaded, for high pressure, with electric actuator series 85. For hydraulic oil, emulsion. For particular applications, refer to sales department.(Self-Extinguish Technopolymer Enclosure)



Art. 8E051 (L)* - 8E052 (T)*****

PN	400	350	350	350
DN - A	3/8"	1/2"	3/4"	1"
B	268	271	283	320
C	250	253	260	291
D	157	157	157	185
E	191	191	191	215
F	61	61	61	68
G	130	130	130	147
H	73	83	95	112
I	35	37	45	55
L	37	40	52	60
ACT.	VB 030	VB 030	VB 030	VB 060
RI	3740	3740	4037	4038

*** VOLTAGE SUPPLY ORDER CODE		
12V AC/DC + 001	24V AC/DC + 002	100-240V AC + 004