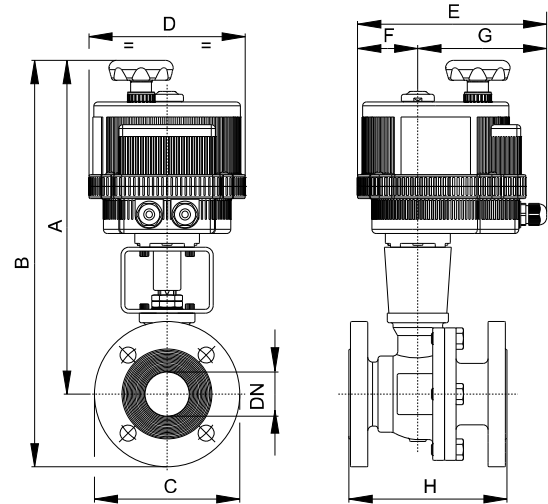


“SPLIT BODY” full bore flanged ball valve [art. 760000], PN16, stainless steel AISI 316-CF8M, face to face EN 558 BASIC SERIES 27, fire safe, antistatic device, with electric actuator series 85.(Self-Extinguish Technopolymer Enclosure)



Art. 8E053***

DN	15	20	25	32	40	50	65	80	100	125	150
PN	40	40	40	40	40	40	16	16	16	16	16
A	225	229	294	324	351	359	386	420	435	458	491
B	272	282	351	394	426	441	478	520	544	583	634
C	95	105	115	140	150	165	185	200	220	250	285
D	123	123	157	185	185	185	211	211	211	222	222
E	164	164	191	215	215	215	237	237	237	247	247
F	43	43	61	68	68	68	84	84	84	77	77
G	121	121	130	147	147	147	153	153	153	170	170
H	115	120	125	130	140	150	170	180	190	325	350
ACT.	VB 015	VB 015	VB 030	VB 060	VB 060	VB 060	VB 110	VB 110	VB 190	VB 270	VB 350
RI	3519	3519	3520	3525	3521	4039	3522	3523	3552	3528	3553

*** VOLTAGE SUPPLY ORDER CODE		
12V AC/DC	24V AC/DC	100-240V AC
+ 001	+ 002	+ 004