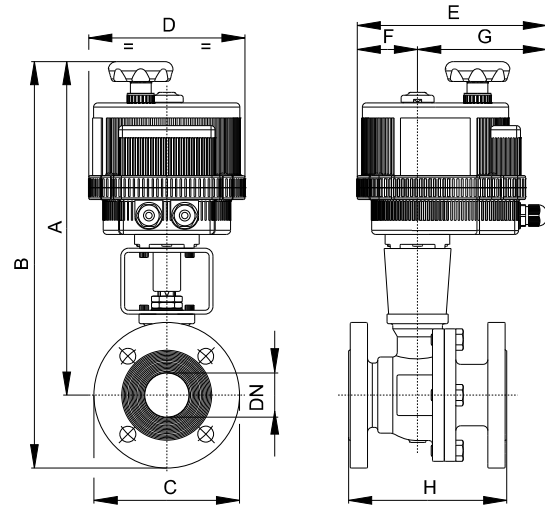


“SPLIT BODY” full bore flanged ball valve [art. 762000], ANSI 150, carbon steel WCB, face to face ANSI B16.10 fire safe, antistatic device, with electric actuator series 85. (Self-Extinguish Technopolymer Enclosure)



Art. 8E056***

DN	15	20	25	40	50	80	100	150
PN	20	20	20	20	20	20	20	20
A	225	229	294	351	359	421	435	491
B	270	279	349	416	434	516	550	634
C	90	100	110	130	150	190	230	280
D	123	123	157	185	185	211	211	222
E	164	164	191	215	215	237	237	247
F	43	43	61	68	68	84	84	77
G	121	121	130	147	147	153	153	170
H	108	117	127	165	178	203	229	394
ACT.	VB 015	VB 015	VB 030	VB 060	VB 060	VB 110	VB 190	VB 350
RI	3519	3519	3520	3521	4039	3523	3552	3553

*** VOLTAGE SUPPLY ORDER CODE		
12V AC/DC	24V AC/DC	100-240V AC
+ 001	+ 002	+ 004