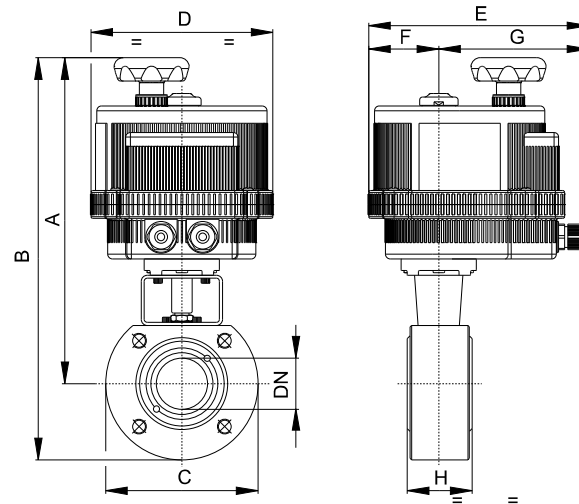


2 way "WAFER" ball valve, flanged [art. 720232], ANSI 300, carbon steel ASTM A105, with stainless steel AISI 304 ball and stem, with electric actuator series 85. (Self-Extinguish Technopolymer Enclosure)



Art. 8E058***

DN	15	20	25	32	40	50	65	80	100
PN	50	50	50	50	50	50	50	50	50
A	274	280	286	286	333	346	398	406	428
B	321	340	346	351	408	429	493	511	555
C	95	120	120	130	150	165	190	210	254
D	157	157	157	157	185	185	211	211	222
E	191	191	191	191	215	215	237	237	247
F	61	61	61	61	68	68	84	84	77
G	130	130	130	130	147	147	153	153	170
H	35	40	46	54	64	82	103	122	152
ACT.	VB 030	VB 030	VB 030	VB 030	VB 060	VB 060	VB 110	VB 190	VB 270
RI	3805	4041	4042	4043	4245	4044	3810	3810	3811

*** VOLTAGE SUPPLY ORDER CODE		
12V AC/DC	24V AC/DC	100-240V AC
+ 001	+ 002	+ 004