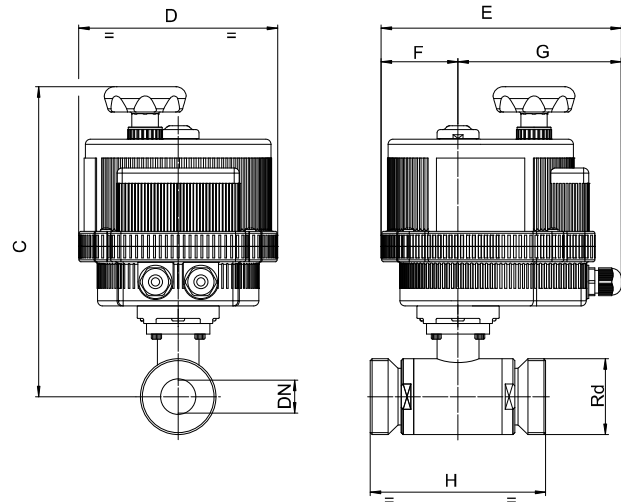


2 way ball valve, from ingot, P.T.F.E. seals, AISI 316, DIN 11851 F/F connections, polished, with electric actuator series 85. (Self-Extinguish Technopolymer Enclosure)



Art. 8E124***

DN	10	15	20	25	32	40	50	65	80	100
PN	64	64	64	40	40	40	25	25	25	25
C	181	183	187	240	245	291	299	327	338	352
D	123	123	123	157	157	185	185	211	211	211
E	164	164	164	191	191	215	215	237	237	237
F	43	43	43	61	61	68	68	84	84	84
G	121	121	121	130	130	147	147	153	153	153
H	88	92	102	106	112	126	136	154	184	190
Rd	28x1/8"	34x1/8"	44x1/6"	52x1/6"	58x1/6"	65x1/6"	78x1/6"	95x1/6"	110x1/4"	130x1/4"
ACT.	VB 015	VB 015	VB 015	VB 030 *	VB 030 *	VB 060	VB 060	VB 110	VB 110	VB 110

* SPECIAL VERSION

*** VOLTAGE SUPPLY ORDER CODE		
12V AC/DC + 001	24V AC/DC + 002	100-240V AC + 004