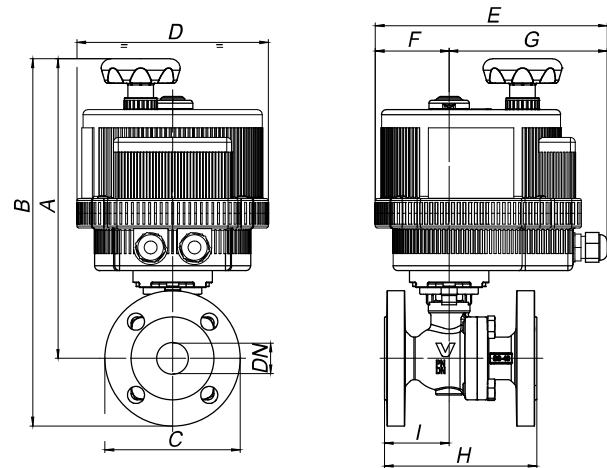


Flanged ANSI 150 carbon steel WCB ball valve, full bore "SPLIT BODY" type [art. 766001] ISO 5211 pad direct, fire safe, antistatic device, ANSI B 16.10 face to face dimension, with electric actuator series 85.(Self-Extinguish Technopolymer Enclosure)



**Art. 8E188\*\*\***

DN	25	40	50	80	100
PN	20	20	20	20	20
A	246	295	305	352	367
B	301	360	380	447	482
C	110	130	150	190	230
D	157	185	185	211	211
E	191	215	215	237	237
F	61	68	68	84	84
G	130	147	147	153	153
H	127	165	178	203	229
I	54	76	86	93	100
ACT.	VB 30	VB 60	VB 60	VB 110	VB 190
RI	4579	4581	4581	4584	4586

*** VOLTAGE SUPPLY ORDER CODE		
12V AC/DC	24V AC/DC	100-240V AC
<b>+ 001</b>	<b>+ 002</b>	<b>+ 004</b>