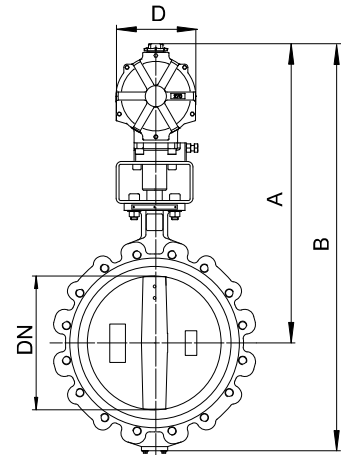
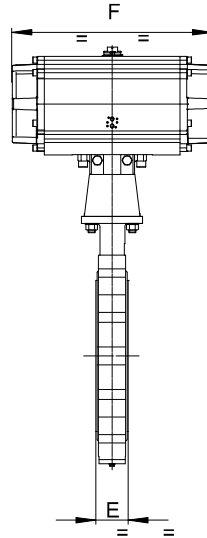


Butterfly valve "LUG" type PN10, GGG40 cast iron, CF8M disc, EPDM seat with pneumatic actuator.



Art. 8P024300

Valve With Double Acting Actuator

| DN | 350 | 400 | 450 | 500 | 600 |
|------|--------|--------|--------|--------|--------|
| PN | 10 | 10 | 10 | 10 | 10 |
| A | 709 | 798 | 820 | 955 | 1111 |
| B | 968 | 1107 | 1147 | 1316 | 1570 |
| D | 186 | 217 | 217 | 249 | 290 |
| E | 80 | 107 | 119 | 132 | 156 |
| F | 500 | 579 | 579 | 690 | 672 |
| ACT. | DA 160 | DA 200 | DA 200 | DA 230 | DA 270 |
| RI | 4236 | 4171 | 4171 | 4239 | 4172 |

Art. 8P024400

Valve With Spring Return Actuator

| DN | 350 | 400 | 450 | 500 | 600 |
|------|--------|--------|--------|--------|-----|
| PN | 10 | 10 | 10 | 10 | 10 |
| A | 843 | 949 | 971 | 1155 | - |
| B | 1102 | 1258 | 1298 | 1516 | - |
| D | 249 | 290 | 290 | 402 | - |
| E | 80 | 107 | 119 | 132 | - |
| F | 690 | 672 | 672 | 881 | - |
| ACT. | SR 230 | SR 270 | SR 270 | SR 330 | - |
| RI | 4894 | 4193 | 4193 | 4895 | - |

Actuator air supply pressure minimum 6 Bar