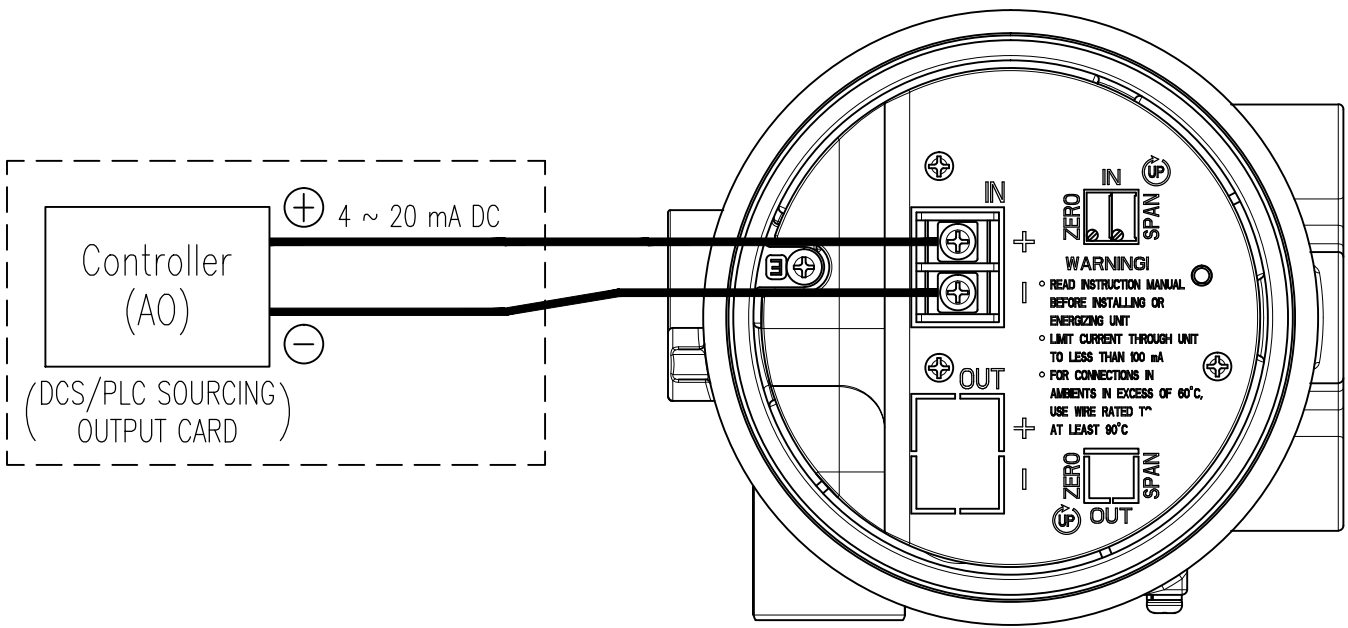



REV.NO.	REVISION DESCRIPTION	DRAWN / DATE	REVIEWED / DATE	APPROVED / DATE
△0	First Issued	KCH/20190808	JJS/20190808	KTJ/20190808



PROJECT NAME _____

SURFACE TEXTURE		-		PRODUCT NAME		IP CONVERTER		 Rotork YTC Limited <small>GMPO-SI, KOREA</small>			
FINISH TREATMENT		-		MODEL		YT-940					
MATERIAL		-		PROJECTION		3rd		TITLE		YT-940 Standard WIRING DIAGRAM	
OTHERWISE NOTE		-		GENERAL TOLERANCE		-		DRAWING NO.		940-02	
-		-		QUANTITY		1		REV.		0	
-		-		SHEET No.		1 / 1		-		-	

2019.01.23