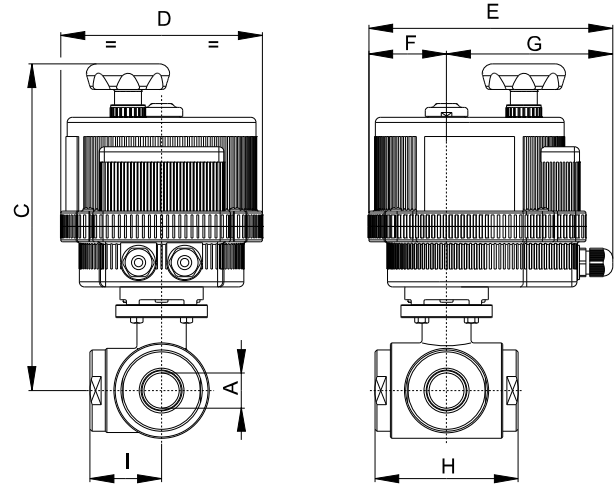


3 way polished ball valve, from ingot, stainless steel AISI 304, ISO 228 threaded F/F/F, full bore, "T" or "L" port, with electric actuator series 85.(Self-Extinguish Technopolymer Enclosure)



Art. 8E020 (T)\*\*\* - 8E021 (L)\*\*\*

PN	40	40	40	40	40	40	40	25	25	16	16
DN - A	1/4"	3/8"	1/2"	3/4"	1"	1"1/4	1"1/2	2"	2"1/2	3"	4"
C	189	189	191	245	249	297	304	307	334	348	365
D	123	123	123	157	157	185	185	185	211	211	222
E	164	164	164	191	191	215	215	215	237	237	247
F	43	43	43	61	61	68	68	68	84	84	77
G	121	121	121	130	130	147	147	147	153	153	170
H	72	72	82	92	102	118	134	144	160	200	240
I	36	36	41	46	51	59	67	72	80	100	120
ACT.	VB 015	VB 015	VB 015	VB 030 *	VB 030 *	VB 060	VB 060 *	VB 060 *	VB 110	VB 190	VB 350

\* SPECIAL VERSION

*** VOLTAGE SUPPLY ORDER CODE		
12V AC/DC	24V AC/DC	100-240V AC
<b>+ 001</b>	<b>+ 002</b>	<b>+ 004</b>