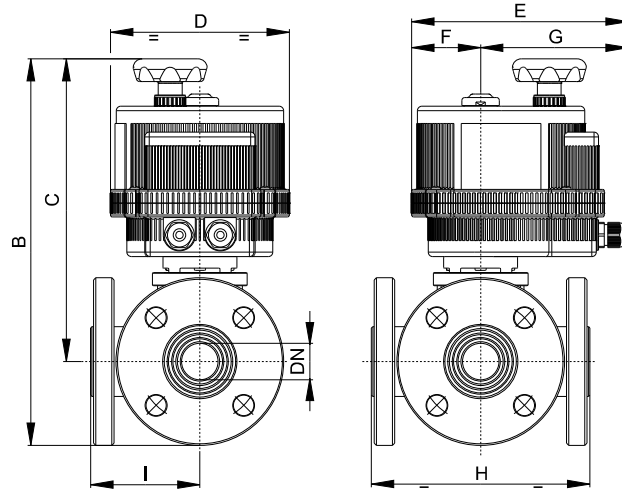


3 way flanged polished ball valve, from ingot, stainless steel AISI 304, full bore, "T" or "L" port, with electric actuator series 85.(Self-Extinguish Technopolymer Enclosure)



Art. 8E024 (T)<sup>\*\*\*</sup> - 8E025 (L)<sup>\*\*\*</sup>

DN	10	15	20	25	32	40	50	65	80	100
PN	40	40	40	40	40	40	25	25	16	16
B	234	239	297	307	367	379	389	426	448	475
C	189	191	245	249	297	304	307	334	348	365
D	123	123	157	157	185	185	185	211	211	222
E	164	164	191	191	215	215	215	237	237	247
F	43	43	61	61	68	68	68	84	84	77
G	121	121	130	130	147	147	147	153	153	170
H	120	130	140	150	180	200	220	240	260	300
I	60	65	70	75	90	100	110	120	130	150
ACT.	VB 015	VB 015	VB 030 *	VB 030 *	VB 060	VB 060	VB 060 *	VB 110	VB 190	VB 350

\* SPECIAL VERSION

*** VOLTAGE SUPPLY ORDER CODE		
12V AC/DC	24V AC/DC	100-240V AC
<b>+ 001</b>	<b>+ 002</b>	<b>+ 004</b>