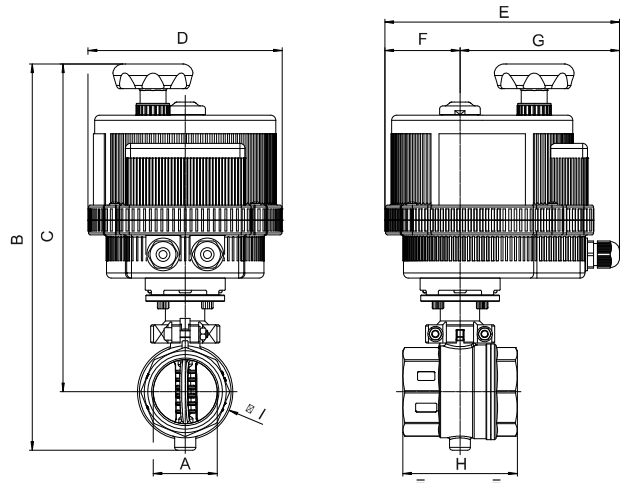


Brass butterfly valve full port [art. 600000] F/F, with electric actuator series 85.(Self-Extinguish Technopolymer Enclosure)



Art. 8E098***

PN	16	16	16	16	16	16	16	16
DN - A	1/2"	3/4"	1"	1"1/4	1"1/2	2"	2"1/2	3"
B	220	228	235	241	252	315	351	401
C	201	204	208	207	211	267	288	326
D	123	123	123	123	123	157	157	185
E	164	164	164	164	164	191	191	215
F	43	43	43	43	43	61	61	68
G	121	121	121	121	121	130	130	147
H	49	56	64	76	82	93	112	130
I	31	38	46	56	66	78	102	122
ACT.	VB 015	VB 015	VB 015	VB 015	VB 015	VB 030 *	VB 030 *	VB 060 *
RI	3827	3827	3827	3825	3825	3208	3835	3826

* SPECIAL VERSION

*** VOLTAGE SUPPLY ORDER CODE		
12V AC/DC + 001	24V AC/DC + 002	100-240V AC + 004