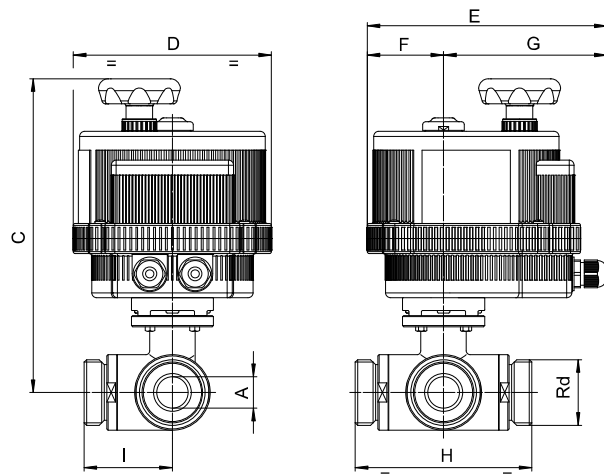


3 way ball valve, from ingot, 4 P.T.F.E seals, AISI 304, polished, DIN 11851 connection F/F/F, full bore, "T" or "L" port, with electric actuator series 85.(Self-Extinguish Technopolymer Enclosure)



Art. 8E131 (T)\*\*\* 8E121 (L) \*\*\*

PN	40	40	40	25	25	16	16
DN - A	25	32	40	50	65	80	100
Rd	52x1/6"	58x1/6"	65x1/6"	78x1/6"	95x1/6"	110x1/4"	130x1/4"
C	249	297	304	307	334	349	365
D	157	185	185	185	211	211	222
E	190	214	214	214	237	237	247
F	61	68	68	68	84	84	77
G	130	147	147	147	153	153	170
H	140	156	172	182	196	256	286
I	70	78	86	91	98	128	143
ACT.	VB 030 *	VB 060	VB 060*	VB 060 *	VB 110	VB 190	VB 350

\* SPECIAL VERSION

*** VOLTAGE SUPPLY ORDER CODE		
12V AC/DC <b>+ 001</b>	24V AC/DC <b>+ 002</b>	100-240V AC <b>+ 004</b>