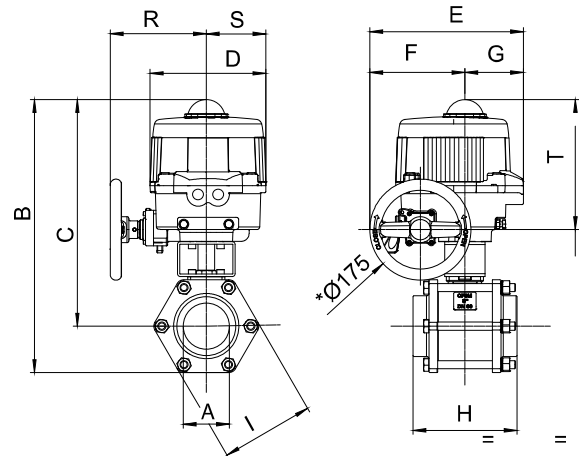


2 way, three piece ball valve [art.713000 F/F - 714000 SW - 715000 BW], carbon steel ASTM A105, with ball and stem in stainless steel AISI 304, with electric actuator series 86.(Die-cast aluminum enclosure coated with polyester powder)



* mod.VB030M-VB060M \varnothing 10mm without handweel

Art. 8M004* F/F - 8M032*** SW - 8M033*** BW**

PN	40	25	25	25	16	16	16
DN - A	1"	1"1/4	1"1/2	2"	2"1/2	3"	4"
B	320	328	373	387	448	473	524
C	291	294	335	342	381	393	429
D	161	161	176	176	200	200	200
E	187	187	197	197	266	266	266
F	63	63	63	63	165	165	165
G	124	124	134	134	101	101	101
H	92	106	116	136	153	180	217
I	58	67	76	90	134	161	190
R	-	-	-	-	167	167	167
S	-	-	-	-	103	103	103
T	-	-	-	-	225	225	225
ACT.	VB 030M	VB 030M	VB 060M	VB 060M	VB 110M	VB 110M	VB 190M
RI	3030	3030	3031	3031	3003	3003	3004

*** VOLTAGE SUPPLY ORDER CODE		
12V AC/DC	24V AC/DC	100-240V AC
+ 001	+ 002	+ 004