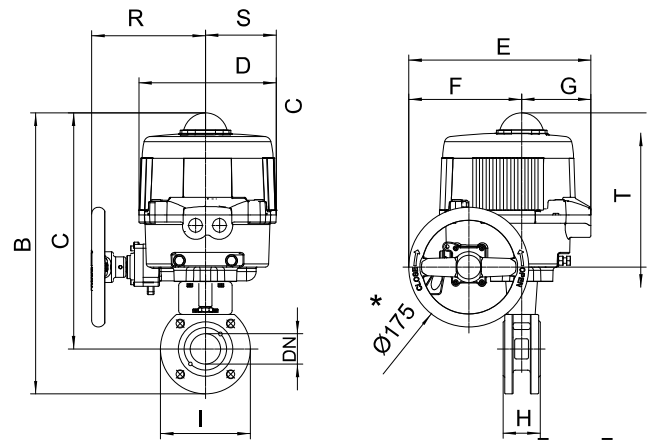


2 way "WAFER" ball valve, flanged [art. 721000], stainless steel AISI 316 CF8M, with electric actuator series 86.(Die-cast aluminum enclosure coated with polyester powder)



* mod.VB030M-VB060M ∇ 10mm without handwheel

Art. 8M005***

DN	25	32	40	50	65	80	100	125	150
PN	16	16	16	16	16	16	16	16	16
B	351	369	409	425	478	493	539	576	620
C	293	299	334	342	386	393	429	451	477
D	161	161	176	176	200	200	200	200	212
E	187	187	197	197	266	266	266	266	279
F	63	63	63	63	165	165	165	165	184
G	124	124	134	134	101	101	101	101	95
H	46	54	64	82	103	122	152	196	232
I	115	140	150	165	185	200	220	250	285
R	-	-	-	-	167	167	167	167	166
S	-	-	-	-	103	103	103	103	109
T	-	-	-	-	225	225	225	225	226
ACT.	VB 030M	VB 030M	VB 060M	VB 060M	VB 110M	VB 110M	VB 190M	VB 190M	VB 350M
RI	3001	3008	3002	3002	3003	3003	3004	3004	3006

*** VOLTAGE SUPPLY ORDER CODE		
12V AC/DC	24V AC/DC	100-240V AC
+ 001	+ 002	+ 004