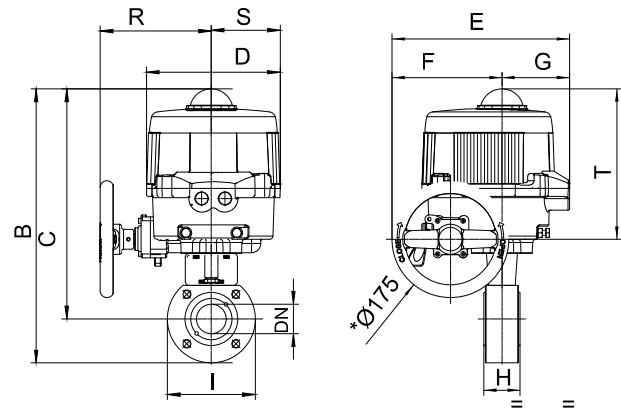


2 way "WAFER" ball valve, flanged [art. 722000], carbon steel ASTM A105, with ball and stem in stainless steel AISI 304, with electric actuator series 86. (Die-cast aluminum enclosure coated with polyester powder)



* mod.VB030M-VB060M \varnothing 10mm without handweel

Art. 8M007***

DN	25	32	40	50	65	80	100	125	150
PN	16	16	16	16	16	16	16	16	16
B	346	363	404	417	470	488	539	576	627
C	291	298	334	342	383	393	429	451	477
D	161	161	176	176	200	200	200	200	212
E	187	187	197	197	266	266	266	266	279
F	63	63	63	63	165	165	165	165	184
G	124	124	134	134	101	101	101	101	95
H	46	54	64	82	103	122	152	196	232
I	110	130	140	150	175	190	220	250	300
R	-	-	-	-	167	167	167	167	166
S	-	-	-	-	103	103	103	103	109
T	-	-	-	-	225	225	225	225	226
ACT.	VB 030M	VB 030M	VB 060M	VB 060M	VB 110M	VB 110M	VB 190M	VB 190M	VB 350M
RI	3001	3008	3002	3002	3003	3003	3004	3004	3006

*** VOLTAGE SUPPLY ORDER CODE		
12V AC/DC	24V AC/DC	100-240V AC
+ 001	+ 002	+ 004