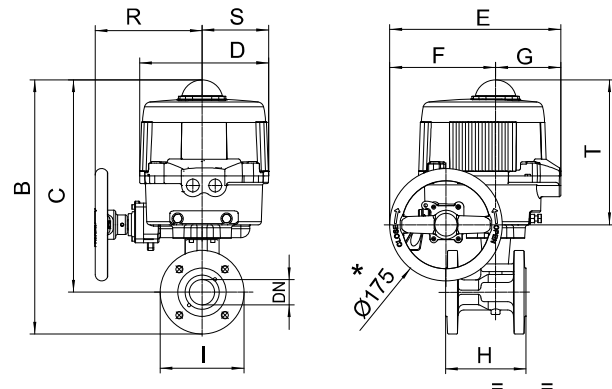


2 way flanged ball valve, cast iron G250 [art. 730007 da DN40 a DN65 - art. 730003 da DN80 a DN150], with ball and stem in stainless steel AISI 304 (face to face according to EN 558 BASIC series 14), with electric actuator series 86. (Die-cast aluminum enclosure coated with polyester powder)



\* mod.VB030M-VB060M  $\nabla$  10mm without handweel

### Art. 8M010\*\*\*

| DN   | 40      | 50      | 65      | 80      | 100     | 125     | 150     |
|------|---------|---------|---------|---------|---------|---------|---------|
| PN   | 16      | 16      | 16      | 16      | 16      | 16      | 16      |
| B    | 409     | 424     | 474     | 492     | 541     | 578     | 620     |
| C    | 334     | 341     | 381     | 392     | 431     | 453     | 477     |
| D    | 176     | 176     | 200     | 200     | 200     | 200     | 212     |
| E    | 197     | 197     | 266     | 266     | 266     | 266     | 279     |
| F    | 63      | 63      | 165     | 165     | 165     | 165     | 184     |
| G    | 134     | 134     | 101     | 101     | 101     | 101     | 95      |
| H    | 140     | 150     | 170     | 180     | 190     | 200     | 210     |
| I    | 150     | 165     | 185     | 200     | 220     | 250     | 285     |
| R    | -       | -       | 167     | 167     | 167     | 167     | 166     |
| S    | -       | -       | 103     | 103     | 103     | 103     | 109     |
| T    | -       | -       | 225     | 225     | 225     | 225     | 226     |
| ACT. | VB 060M | VB 060M | VB 110M | VB 110M | VB 190M | VB 190M | VB 350M |
| RI   | 3002    | 3002    | 3003    | 3003    | 3004    | 3004    | 3006    |

| *** VOLTAGE SUPPLY ORDER CODE |              |              |
|-------------------------------|--------------|--------------|
| 12V AC/DC                     | 24V AC/DC    | 100-240V AC  |
| <b>+ 001</b>                  | <b>+ 002</b> | <b>+ 004</b> |