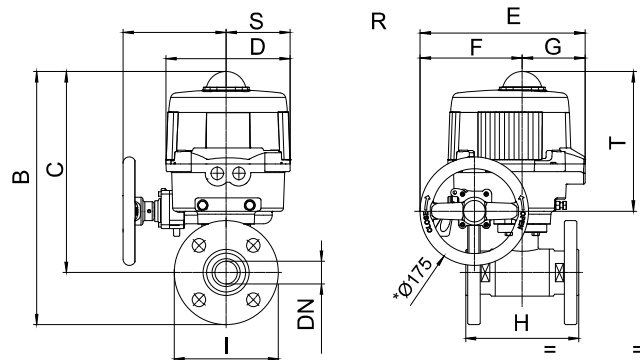


2 way flanged polished ball valve from ingot, stainless steel AISI 316, full bore, with electric actuator series 86.
(Die-cast aluminum enclosure coated with polyester powder)



* mod.VB030M-VB060M \varnothing 10mm without handweel

Art.8M011***

DN	25	32	40	50	65	80	100
PN	40	40	25	25	16	16	16
B	359	376	371	387	434	452	476
C	301	306	296	304	341	352	366
D	161	161	176	176	200	200	200
E	187	187	197	197	266	266	266
F	63	63	63	63	165	165	165
G	124	124	134	134	101	101	101
H	125	130	140	150	170	180	190
I	115	140	150	165	185	200	220
R	-	-	-	-	167	167	167
S	-	-	-	-	103	103	103
T	-	-	-	-	225	225	225
ACT.	VB 030M *	VB 030M *	VB 060M	VB 060M	VB 110M	VB 110M	VB 110M

* SPECIAL VERSION

*** VOLTAGE SUPPLY ORDER CODE		
12V AC/DC	24V AC/DC	100-240V AC
+ 001	+ 002	+ 004