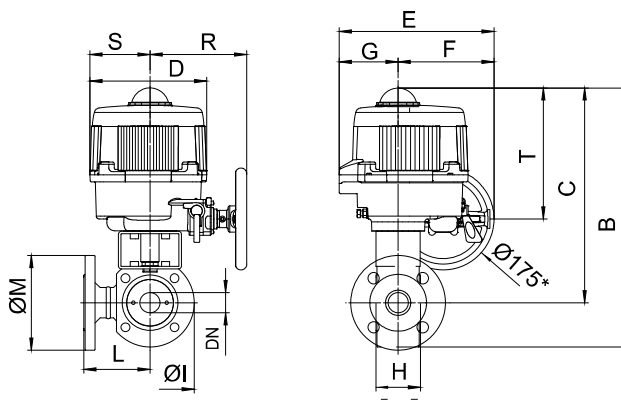


3 way "WAFER" ball valve (diverting) [art. 776000 (L) - art.776001 (T)], "T" or "L" port, two seats, flanged PN16, in carbon steel ASTM A105, reduced bore, with electric actuator series 86.(Die-cast aluminum enclosure coated with polyester powder)



* mod.VB030M-VB060M ∇ 10mm without handweel

Art.8M013(T)*** - 8M015(L)***

DN	25	32	40	50	65	80	100	125	150
PN	16	16	16	16	16	16	16	16	16
B	345	363	404	420	473	491	538	578	630
C	290	298	334	340	383	391	428	454	477
D	161	161	176	176	200	200	200	200	212
E	187	187	197	197	266	266	266	266	279
F	63	63	63	63	165	165	165	165	184
G	124	124	134	134	101	101	101	101	95
H	46	58	71	82	106	122	152	196	242
Ø I	109	130	140	160	180	200	220	250	306
L	86	105	110	115	125	150	159	190	210
ØM	115	140	150	165	185	200	220	250	285
R	-	-	-	-	167	167	167	167	166
S	-	-	-	-	103	103	103	103	109
T	-	-	-	-	225	225	225	225	226
ACT.	VB 030M	VB 030M	VB 060M	VB 060M	VB 110M	VB 110M	VB 190 M	VB 190M	VB 350M
RI	3001	3008	3002	3002	3003	3003	3004	4558	3042

*** VOLTAGE SUPPLY ORDER CODE		
12V AC/DC	24V AC/DC	100-240V AC
+ 001	+ 002	+ 004