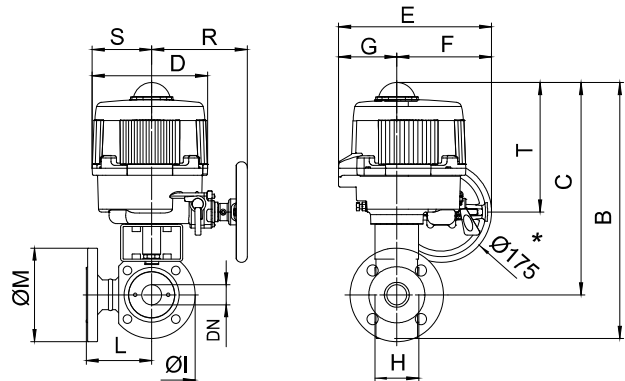


3 way "WAFER" ball valve (diverting) [art. 776007 (L) - art.776010 (T)], "T" or "L" port, two seats, flanged PN16, in stainless steel AISI 316, reduced bore, with electric actuator series 86.(Die-cast aluminum enclosure coated with polyester powder)



\* mod.VB030M-VB060M  $\nabla$  10mm without handweel

Art.8M016(T)\*\*\* - 8M017(L)\*\*\*

DN	25	32	40	50	65	80	100
PN	16	16	16	16	16	16	16
B	345	363	404	420	473	491	538
C	290	298	334	340	383	391	428
D	161	161	176	176	200	200	200
E	187	187	197	197	266	266	266
F	63	63	63	63	165	165	165
G	124	124	134	134	101	101	101
H	46	58	71	82	106	122	152
ØI	109	130	140	160	180	200	220
L	86	105	110	115	125	150	159
ØM	115	140	150	165	185	200	220
R	-	-	-	-	167	167	167
S	-	-	-	-	103	103	103
T	-	-	-	-	225	225	225
ACT.	VB 030M	VB 030M	VB 060M	VB 060M	VB 110M	VB 110M	VB 190M
RI	3001	3008	3002	3002	3003	3003	3004

*** VOLTAGE SUPPLY ORDER CODE		
12V AC/DC	24V AC/DC	100-240V AC
<b>+ 001</b>	<b>+ 002</b>	<b>+ 004</b>