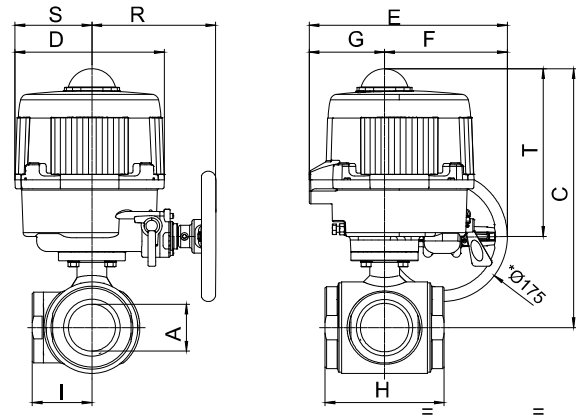


3 way polished ball valve, from ingot, stainless steel AISI 304, ISO 228 threaded F/F/F, full bore, "T" or "L" port, with electric actuator series 86.(Die-cast aluminum enclosure coated with polyester powder)



\* mod.VB030M-VB060M  $\varnothing$ 10mm without handweel

Art.8M020(T)\*\*\* - 8M021(L)\*\*\*

PN	40	40	40	40	25	25	16	16
DN-A	3/4"	1"	1"1/4	1"1/2	2"	2"1/2	3"	4"
C	256	260	302	309	312	348	362	378
D	161	161	176	176	176	200	200	212
E	187	187	197	197	197	266	266	279
F	63	63	63	63	63	165	165	184
G	124	124	134	134	134	101	101	95
H	92	102	118	134	144	160	200	240
I	46	51	59	67	72	80	100	120
R	-	-	-	-	-	167	167	166
S	-	-	-	-	-	103	103	109
T	-	-	-	-	-	225	225	226
ACT.	VB 030M*	VB 030M*	VB 060M	VB 060M*	VB 060M*	VB 110M	VB 190M	VB 350M

\* SPECIAL VERSION

*** VOLTAGE SUPPLY ORDER CODE		
12V AC/DC <b>+ 001</b>	24V AC/DC <b>+ 002</b>	100-240V AC <b>+ 004</b>