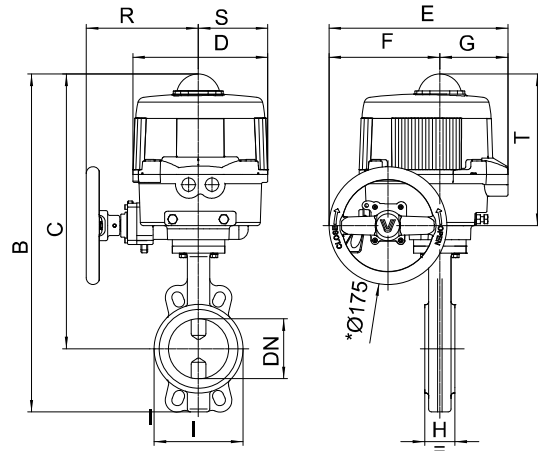


Butterfly valve "WAFER" type PN16, body in G250 + Epoxy, disc GGG40 nickel, EPDM seat [ art. 600104], or NBR [art. 600117], with electric actuator series 86. (Die-cast aluminum enclosure coated with polyester powder)



\* mod.VB030M-VB060M  $\varnothing$  10mm without handwheel

Art. 8M034\*\*\* EPDM - 8M096\*\*\* NBR

DN	50	65	80	100	125	150	200	250
PN	16	16	16	16	16	16	16	16
B	424	443	477	505	565	593	658	733
C	352	365	387	403	442	455	490	526
D	161	161	176	176	200	200	212	212
E	187	187	197	197	266	266	279	279
F	63	63	63	63	165	165	184	184
G	124	124	134	134	101	101	95	95
H	43	46	46	52	56	56	60	68
I	100	120	127	161	190	215	268	325
R	-	-	-	-	167	167	166	166
S	-	-	-	-	103	103	109	109
T	-	-	-	-	225	225	226	226
ACT.	VB 030M	VB 030M	VB 060M	VB 060M	VB 110M	VB 190M	VB 270M	VB 350M
RI	3836	3836	3883	3884	3840	3847	3965	3865

*** VOLTAGE SUPPLY ORDER CODE		
12V AC/DC	24V AC/DC	100-240V AC
<b>+ 001</b>	<b>+ 002</b>	<b>+ 004</b>