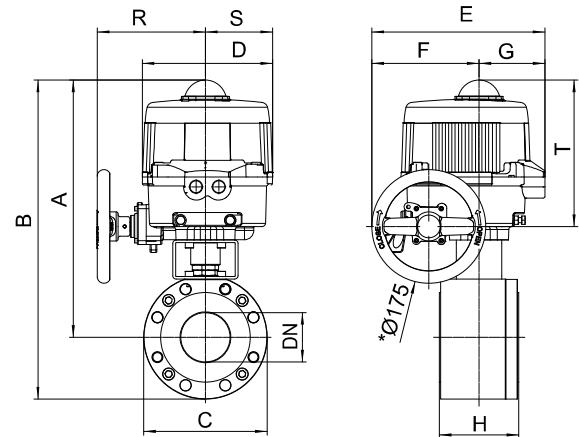


“WAFER SPLIT” full bore flanged PN16 ball valve [art. 763000], stainless steel AISI 316, fire safe, antistatic device, with electric actuator series 86.(Die-cast aluminum enclosure coated with polyester powder)



\* mod.VB030M-VB060M  $\varnothing$  10mm without handweel

**Art.8M048\*\*\***

DN	25	32	40	50	65	80	100
PN	40	40	40	40	16	16	16
A	296	302	342	351	390	396	429
B	351	367	412	426	480	491	539
C	110	130	140	150	180	190	220
D	161	161	176	176	200	200	200
E	187	187	197	197	266	266	266
F	63	63	63	63	165	165	165
G	124	124	134	134	101	101	101
H	57	65	79	84	103	122	155
R	-	-	-	-	167	167	167
S	-	-	-	-	103	103	103
T	-	-	-	-	225	225	225
ACT.	VB 030M	VB 030M	VB 060M	VB 060M	VB 110M	VB 110M	VB 190M
RI	3542	4271	3521	3521	3545	3546	3552

*** VOLTAGE SUPPLY ORDER CODE		
12V AC/DC	24V AC/DC	100-240V AC
<b>+ 001</b>	<b>+ 002</b>	<b>+ 004</b>