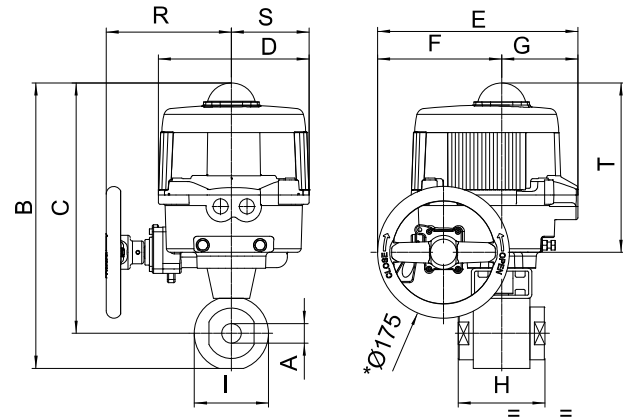


2 way ball valve, 9SMnPb36, F/F threaded, for high pressure, with electric actuator series 86, for hydraulic oil, emulsion. For particular applications, refer to sales department. (Die-cast aluminum enclosure coated with polyester powder)



\* mod.VB030M-VB060M  $\varnothing$  10mm without handweel

**Art.8M050\*\*\***

PN	500	500	400	350	350	350	350
DN-A	3/8"	1/2"	3/4"	1"	1"1/4	1"1/2	2"
B	279	282	294	325	380	394	401
C	261	264	271	296	333	340	344
D	161	161	161	176	200	200	212
E	187	187	187	197	266	266	279
F	63	63	63	63	165	165	184
G	124	124	124	134	101	101	95
H	73	83	95	112	115	131	140
I	35	37	45	55	88	102	118
R	-	-	-	-	167	167	166
S	-	-	-	-	103	103	109
T	-	-	-	-	225	225	226
ACT.	VB 030M	VB 030M	VB 030M	VB 060M	VB 110M	VB 110M	VB 270M
RI	3740	3740	4037	4038	4027	4027	4019

*** VOLTAGE SUPPLY ORDER CODE		
12V AC/DC	24V AC/DC	100-240V AC
<b>+ 001</b>	<b>+ 002</b>	<b>+ 004</b>