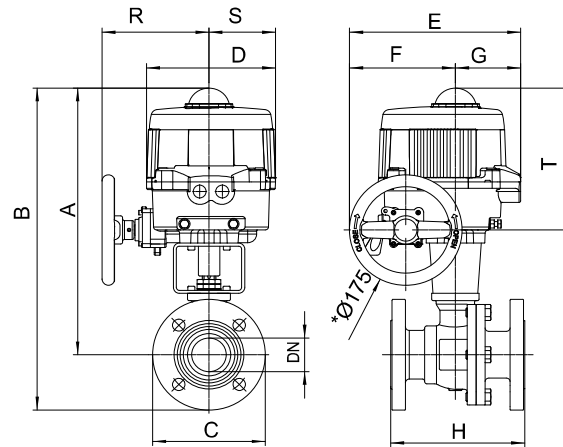


“SPLIT BODY” full bore flanged ball valve [art. 760000], PN16, stainless steel AISI 316-CF8M, face to face EN 558 BASIC SERIES 27, fire safe, antistatic device, with electric actuator series 86.(Die-cast aluminum enclosure coated with polyester powder)



* mod.VB030M-VB060M \varnothing 10mm without handweel

Art.8M053***

DN	25	32	40	50	65	80	100	125	150
PN	40	40	40	40	16	16	16	16	16
A	305	329	357	364	400	434	448	472	506
B	362	399	432	446	492	534	558	597	648
C	115	140	150	165	185	200	220	250	285
D	161	176	176	176	200	200	200	212	212
E	187	197	197	197	266	266	266	279	279
F	63	63	63	63	165	165	165	184	184
G	124	134	134	134	101	101	101	95	95
H	125	130	140	150	170	180	190	325	350
R	-	-	-	-	167	167	167	166	166
S	-	-	-	-	103	103	103	109	109
T	-	-	-	-	225	225	225	226	226
ACT.	VB 030M	VB 060M	VB 060M	VB 060M	VB 110M	VB 110M	VB 190M	VB 270M	VB 350M
RI	3520	3525	3521	4039	3522	3523	3552	3528	3553

*** VOLTAGE SUPPLY ORDER CODE		
12V AC/DC	24V AC/DC	100-240V AC
+ 001	+ 002	+ 004