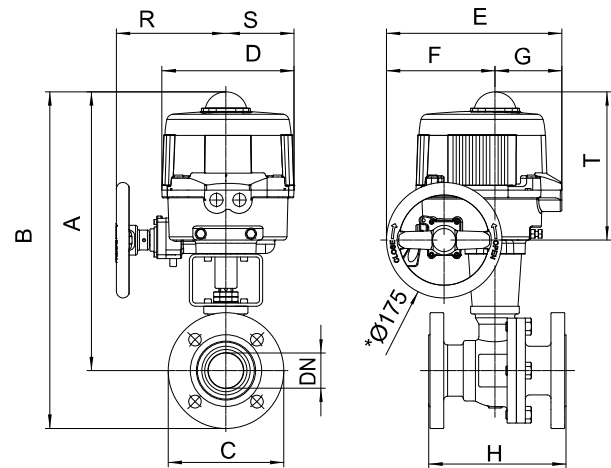


“SPLIT BODY” full bore flanged ball valve [art. 762000], ANSI 150, carbon steel WCB, face to face ANSI B16.10 fire safe, antistatic device, with electric actuator series 86. (Die-cast aluminum enclosure coated with polyester powder)



* mod.VB030M-VB060M \varnothing 10mm without handwheel

Art.8M056***

DN	25	40	50	80	100	150
PN	20	20	20	20	20	20
A	304	356	634	434	448	504
B	360	421	439	530	564	648
C	110	130	150	190	230	280
D	161	176	176	200	200	212
E	187	197	197	266	266	279
F	63	63	63	165	165	184
G	124	134	134	101	101	95
H	127	165	178	203	229	394
R	-	-	-	167	167	166
S	-	-	-	103	103	109
T	-	-	-	225	225	226
ACT.	VB 030M	VB 060M	VB 060M	VB 110M	VB 190M	VB 350M
RI	3520	3521	4039	3523	3552	3553

*** VOLTAGE SUPPLY ORDER CODE		
12V AC/DC	24V AC/DC	100-240V AC
+ 001	+ 002	+ 004