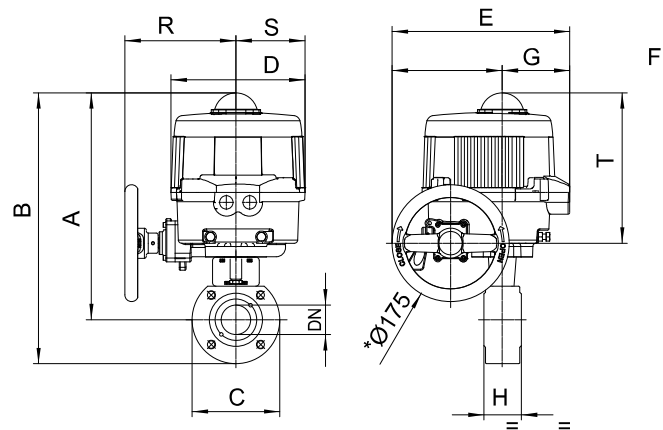


2 way "WAFER" ball valve, flanged [art. 720212], ANSI 300, stainless steel AISI 316-CF8M, with electric actuator series 86. (Die-cast aluminum enclosure coated with polyester powder)



\* mod.VB030M-VB060M  $\nabla$  10mm without handweel

**Art.8M057\*\*\***

DN	15	20	25	32	40	50	65	80	100
PN	50	50	50	50	50	50	50	50	50
A	285	291	297	297	338	351	412	420	441
B	332	351	357	362	413	434	507	525	568
C	95	120	120	130	150	165	190	210	254
D	161	161	161	161	176	176	200	200	212
E	187	187	187	187	197	197	266	266	279
F	63	63	63	63	63	63	165	165	184
G	124	124	124	124	134	134	101	101	95
H	35	40	46	54	64	82	103	122	152
R	-	-	-	-	-	-	167	167	166
S	-	-	-	-	-	-	103	103	109
T	-	-	-	-	-	-	225	225	226
ACT.	VB 030M	VB 030M	VB 030M	VB 030M	VB 060M	VB 060M	VB 110M	VB 190M	VB 270M
RI	3805	4041	4042	4043	4245	4044	3810	3810	3811

*** VOLTAGE SUPPLY ORDER CODE		
12V AC/DC	24V AC/DC	100-240V AC
<b>+ 001</b>	<b>+ 002</b>	<b>+ 004</b>