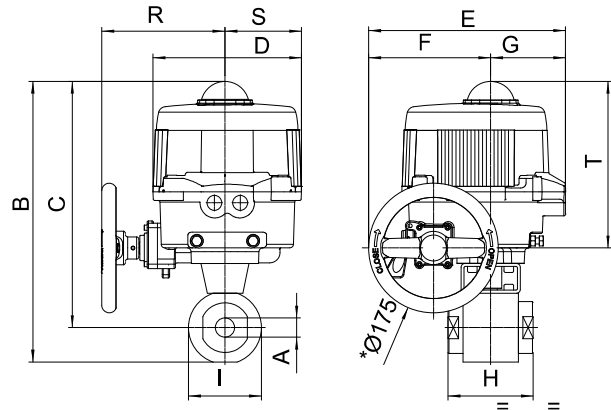


2 way ball valve, AISI 316L, F/F threaded fire safe BS 6755, antistatic device, high pressure, with electric actuator series 86. For hydraulic oil, emulsion. For particular applications, refer to sales department. (Die-cast aluminum enclosure coated with polyester powder)



* mod.VB030M-VB060M \varnothing 10mm without handweel

Art.8M126***

PN	500	500	400	350	350	350	350
DN-A	3/8"	1/2"	3/4"	1"	1"1/4	1"1/2	2"
B	292	297	332	361	383	416	446
C	265	268	295	320	333	359	384
D	161	161	161	176	200	200	212
E	187	187	187	197	266	266	279
F	63	63	63	63	165	165	184
G	124	124	124	134	101	101	95
H	72	81	98	106	127	135	160
I	54	59	74	83	99	114	123
R	-	-	-	-	167	167	166
S	-	-	-	-	103	103	109
T	-	-	-	-	225	225	226
ACT.	VB 030M	VB 030M	VB 030M*	VB 060M	VB 110M	VB 110M	VB 270M
RI	4220	4220	4229	4229	4482	4223	4224

* SPECIAL VERSION

*** VOLTAGE SUPPLY ORDER CODE		
12V AC/DC	24V AC/DC	100-240V AC
+ 001	+ 002	+ 004