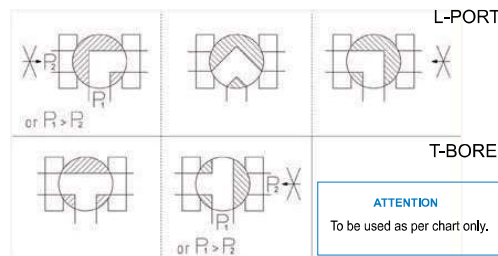
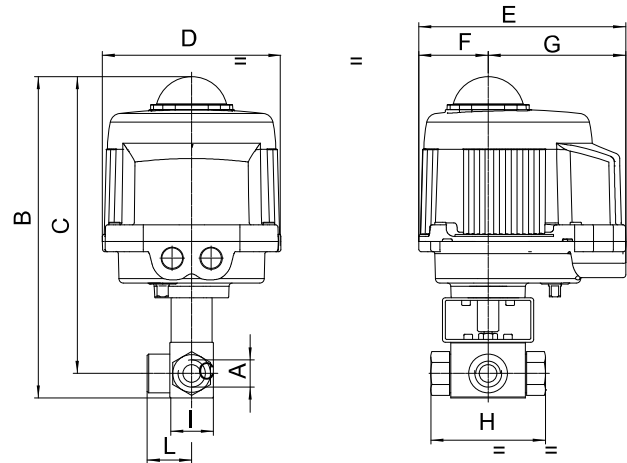


3 way ball valve, AISI 316L, "L" or "T" port, diverting only, F/F/F threaded, for high pressure, with electric actuator series 86. For hydraulic oil, emulsion. For particular applications, refer to sales department(Die-cast aluminum enclosure coated with polyester powder)



Art.8M129(L)\*\*\* - 8M130(T)\*\*\*

PN	400	350	350	350
DN-A	3/8"	1/2"	3/4"	1"
B	279	282	294	325
C	261	264	271	296
D	161	161	161	176
E	187	187	187	197
F	63	63	63	63
G	124	124	124	134
H	73	83	95	112
I	35	37	45	55
L	37	40	52	60
ACT.	VB 030M	VB 030M	VB 030M	VB 060M
RI	3740	3740	4037	4038

*** VOLTAGE SUPPLY ORDER CODE		
12V AC/DC <b>+ 001</b>	24V AC/DC <b>+ 002</b>	100-240V AC <b>+ 004</b>