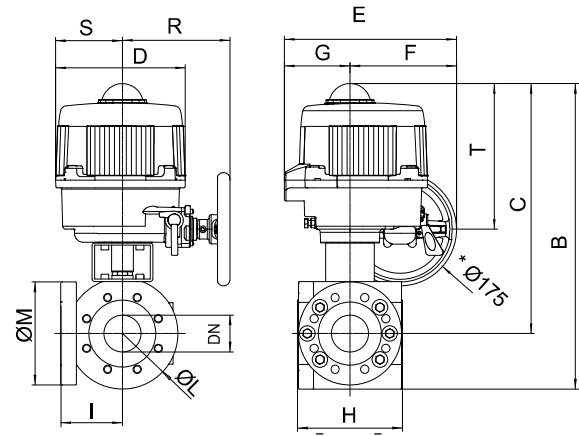


3 way ball valve type "COMBI-SFER", [art. 776601 (L) - art. 776600 (T)], "L" or "T" ported, with 4 seats, PN16 flanged, carbon steel ASTM A105, full bore, with electric actuator series 86. (Die-cast aluminum enclosure coated with polyester powder)



* mod.VB030M-VB060M ∇ 10mm without handweel

Art. 8M170(L)*** - 8M164(T)***

DN	20	25	32	40	50	65	80	100
PN	16	16	16	16	16	16	16	16
B	343	363	407	424	468	499	550	570
C	293	308	342	349	383	394	435	431
D	161	161	176	176	200	200	212	212
E	187	187	197	197	266	266	279	279
F	63	63	63	63	165	165	184	184
G	124	124	134	134	101	101	95	95
H	108	115	140	150	167	185	216	244
I	40	42	53	57	62	85	127	150
ØL	100	109	133	150	168	208	229	278
ØM	-	-	-	-	-	-	212	239
R	-	-	-	-	167	167	166	166
S	-	-	-	-	103	103	109	109
T	-	-	-	-	225	225	226	226
ACT.	VB 030M	VB 030M	VB 060M	VB 060M	VB 110M	VB 190M	VB 270 M	VB 270M
RI	3520	3520	4416	4039	3522	4411	4412	4412

*** VOLTAGE SUPPLY ORDER CODE		
12V AC/DC	24V AC/DC	100-240V AC
+ 001	+ 002	+ 004