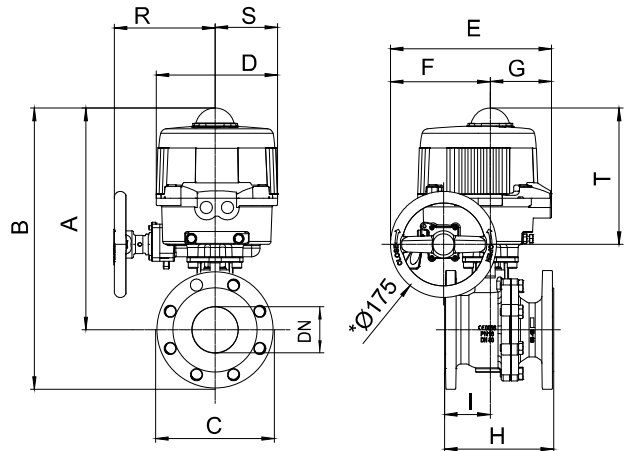


Flanged PN16 carbon steel WCB ball valve, full bore "SPLIT BODY" type [art. 765001] ISO 5211 pad direct, fire safe, antistatic device, EN558 basic series 27 face to face dimension, with electric actuator series 86. (Die-cast aluminum enclosure coated with polyester powder)



* mod.VB030M-VB060M \varnothing 10mm without handweel

Art. 8M186***

DN	25	32	40	50	65	80	100
PN	40	40	40	40	16	16	16
A	257	291	300	310	357	366	381
B	315	361	375	392	450	466	491
C	115	140	150	165	185	200	220
D	161	176	176	176	200	200	200
E	187	197	197	197	266	266	266
F	63	63	63	63	165	165	165
G	124	134	134	134	101	101	101
H	125	130	140	150	170	180	190
I	53	55	52	58	63	76	80
R	-	-	-	-	167	167	167
S	-	-	-	-	103	103	103
T	-	-	-	-	225	225	225
ACT.	VB 030M	VB 060M	VB 060M	VB 060M	VB 110M	VB 110M	VB 190M
RI	4579	4580	4581	4581	4584	4584	4586

*** VOLTAGE SUPPLY ORDER CODE		
12V AC/DC	24V AC/DC	100-240V AC
+ 001	+ 002	+ 004