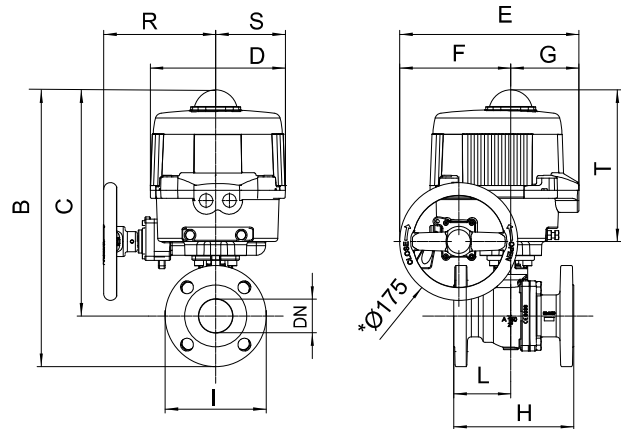


Flanged ANSI 150 carbon steel WCB ball valve, full bore "SPLIT BODY" type [art. 766001], ISO 5211 pad direct, fire safe, antistatic device, ANSI B 16.10 face to face dimension, with electric actuator series 86. (Die-cast aluminum enclosure coated with polyester powder)



* mod.VB030M-VB060M ∇ 10mm without handweel

Art. 8M188***

DN	25	40	50	80	100
PN	20	20	20	20	20
B	312	365	385	461	496
C	257	300	310	366	381
D	161	176	176	200	200
E	187	197	197	266	266
F	63	63	63	165	165
G	124	134	134	101	101
H	127	165	178	203	229
Ø I	110	130	150	190	230
L	54	76	85	93	100
R	-	-	-	167	167
S	-	-	-	103	103
T	-	-	-	225	225
ACT.	VB 030M	VB 060M	VB 060M	VB 110M	VB 190M
RI	4579	4581	4581	4584	4586

*** VOLTAGE SUPPLY ORDER CODE		
12V AC/DC	24V AC/DC	100-240V AC
+ 001	+ 002	+ 004