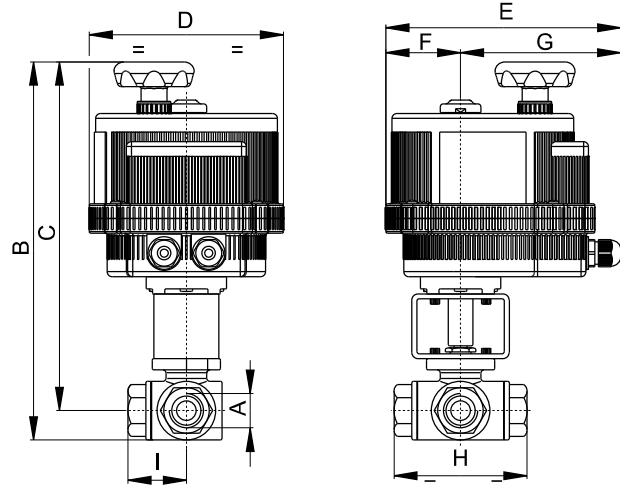


3 way series 85.ball valve, investment casted, [art. 772000 (T) - art. 775000 (L)], stainless steel AISI 316, threaded F/F/F, reduced bore, "L" o "T" port, with electric actuator series 85.(Self-Extinguish Technopolymer Enclosure)



Art. 8E027 (T)* - 8E026 (L)*****

PN	64	64	64	64	64	64	64	64
DN - A	1/4"	3/8"	1/2"	3/4"	1"	1 1/4"	1 1/2"	2"
B	235	235	239	306	314	322	381	396
C	219	219	223	285	289	295	347	356
D	123	123	123	157	157	157	211	211
E	164	164	164	191	191	191	237	237
F	43	43	43	61	61	61	84	84
G	121	121	121	130	130	130	153	153
H	70	70	76	87	103	118	126	149
I	35	35	38	45	52	58	63	75
ACT.	VB 015	VB 015	VB 015	VB 030	VB 030	VB 030	VB 110	VB 110
RI	3760	3760	3760	3761	4034	4035	3764	3003

*** VOLTAGE SUPPLY ORDER CODE		
12V AC/DC + 001	24V AC/DC + 002	100-240V AC + 004