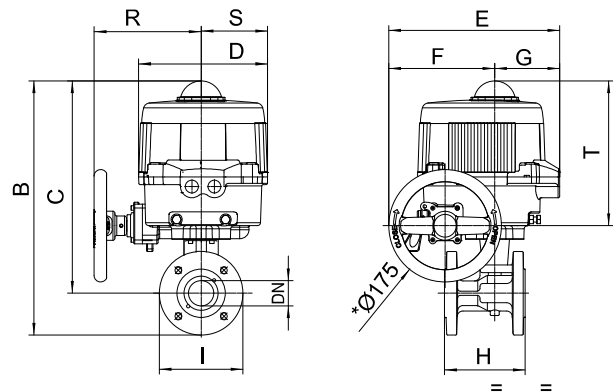


2 way flanged ball valve, cast iron G250 [art. 730008 da DN25 a DN65 - art. 730000 da DN80 a DN100], with chrome plated ball (face to face according to EN 558 BASIC series 14), with electric actuator series 86.(Die-cast aluminum enclosure coated with polyester powder)



* mod.VB030M-VB060M Ø10mm without handweel

Art. 8M009***

| DN | 25 | 32 | 40 | 50 | 65 | 80 | 100 | 125 | 150 |
|------|---------|---------|---------|---------|---------|---------|---------|---------------|---------------|
| PN | 16 | 16 | 16 | 16 | 16 | 16 | 16 | 16 | 16 |
| B | 346 | 365 | 409 | 424 | 474 | 492 | 541 | Art. 8M010*** | Art. 8M010*** |
| C | 289 | 295 | 334 | 341 | 381 | 392 | 431 | | |
| D | 161 | 161 | 176 | 176 | 200 | 200 | 200 | | |
| E | 187 | 187 | 197 | 197 | 266 | 266 | 266 | | |
| F | 63 | 63 | 63 | 63 | 165 | 165 | 165 | | |
| G | 124 | 124 | 134 | 134 | 101 | 101 | 101 | | |
| H | 125 | 130 | 140 | 150 | 170 | 180 | 190 | | |
| I | 115 | 140 | 150 | 165 | 185 | 200 | 220 | | |
| R | - | - | - | - | 167 | 167 | 167 | | |
| S | - | - | - | - | 103 | 103 | 103 | | |
| T | - | - | - | - | 225 | 225 | 225 | | |
| ACT. | VB 030M | VB 030M | VB 060M | VB 060M | VB 110M | VB 110M | VB 190M | | |
| RI | 3001 | 3001 | 3002 | 3002 | 3003 | 3003 | 3004 | | |

| *** VOLTAGE SUPPLY ORDER CODE | | |
|-------------------------------|--------------|--------------|
| 12V AC/DC | 24V AC/DC | 100-240V AC |
| + 001 | + 002 | + 004 |