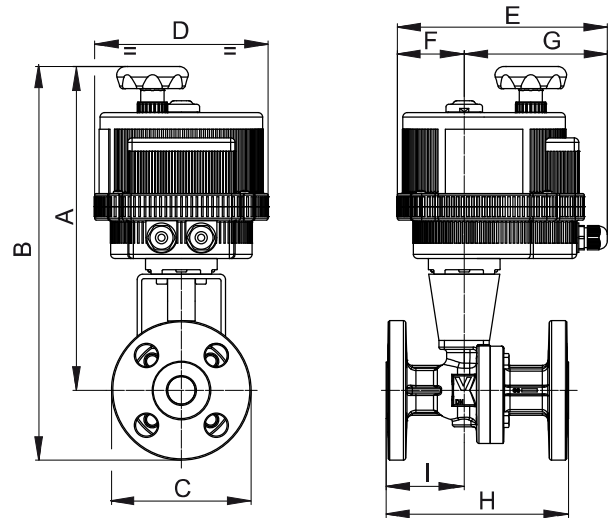


Flanged ANSI 300, AISI 316-CF8M stainless steel ball valve, [art. 761030], full port, ANSI B16.10, fire safe, antistatic device, with electric actuator series 85 .(Self-Extinguish Technopolymer Enclosure)



Art. 8E111***

DN	15	20	25	40	50	80	100
PN	50	50	50	50	50	50	50
A	271	276	293	351	359	421	436
B	319	334	356	429	441	526	563
C	95	118	125	155	165	210	255
D	157	157	157	185	185	211	211
E	191	191	191	215	215	237	247
F	61	61	61	68	68	84	77
G	130	130	130	147	147	153	170
H	140	152	165	190	216	283	305
I	62	61	71	79	86	81	89
ACT.	VB 030	VB 030	VB 030	VB 060	VB 060	VB 190	VB 270
RI	3519	3519	4116	3521	4039	3552	3565

*** VOLTAGE SUPPLY ORDER CODE		
12V AC/DC	24V AC/DC	100-240V AC
+ 001	+ 002	+ 004