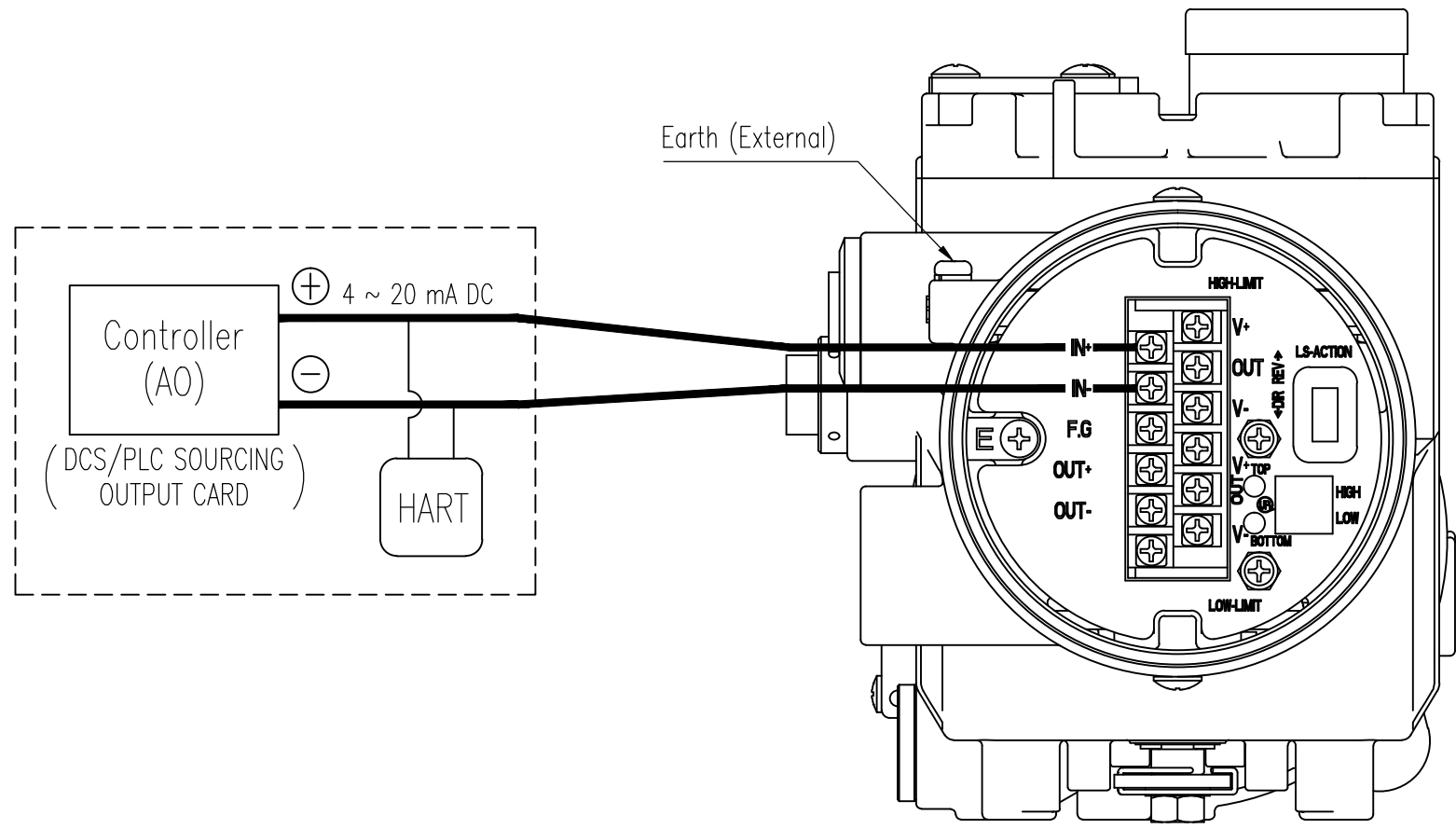


REV.NO.	REVISION DESCRIPTION	DRAWN / DATE	REVIEWED / DATE	APPROVED / DATE
△0	First Issued	KCH/20110915	JCS/20110915	LYH/20110915
△1	Ommision in the middle			
△2	Drawing arrangement	KSH/20161124	JJS/20161124	KTJ/20161124
△3	Drawing title block updated	KCH/20190806	JJS/20190806	KTJ/20190806



PROJECT NAME _____

SURFACE TEXTURE		PRODUCT NAME		Rotork YTC Limited <small>GMPO-SI, KOREA</small>	
-		SMART POSITIONER			
FINISH TREATMENT		MODEL		TITLE	
-		YT-3400, 3450		YT-3400, 3450 + HART WIRING DIAGRAM	
MATERIAL		PROJECTION	SCALE	DRAWING NO.	
-		3rd	-	3400-05	
OTHERWISE NOTE	GENERAL TOLERANCE	QUANTITY	SHEET No.	REV.	
-	-	1	1 / 1	3	