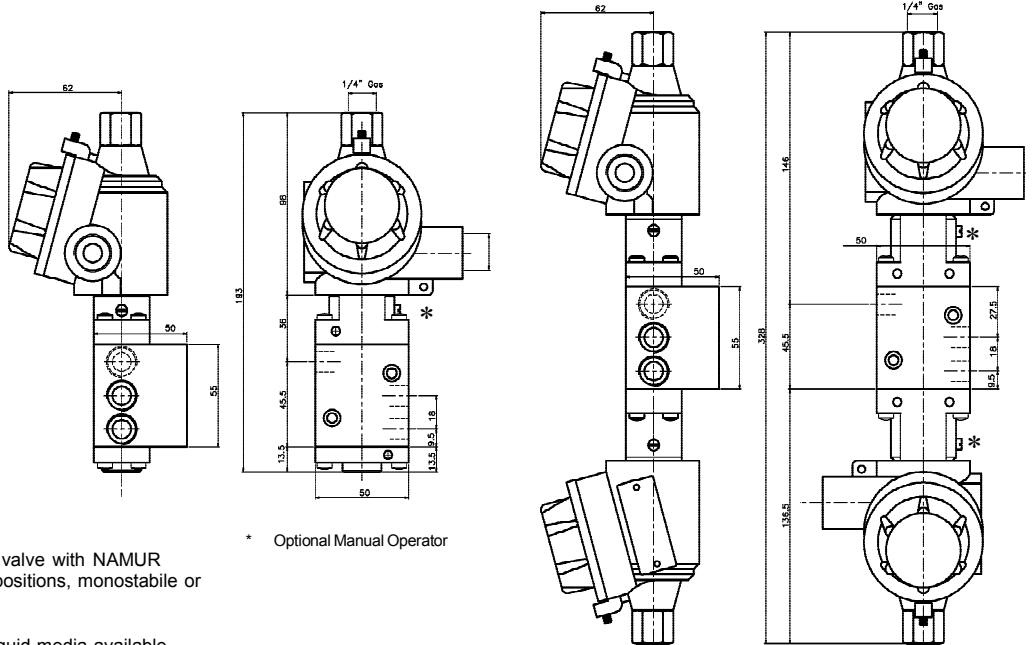
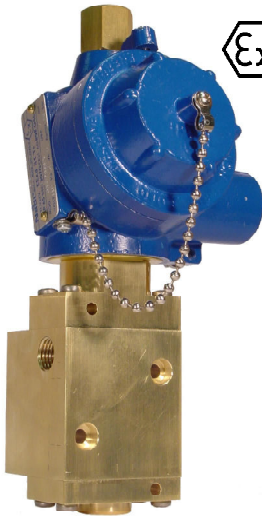


GENERAL DESCRIPTION / APPLICATIONS / DIMENSIONS (millimeters)



* Optional Manual Operator

Convertible five or three ways solenoid valve with NAMUR interface, pilot operated, two and three positions, monostable or bistable.

Suitable for gaseous media. Model for liquid media available upon request⁽⁴⁾.

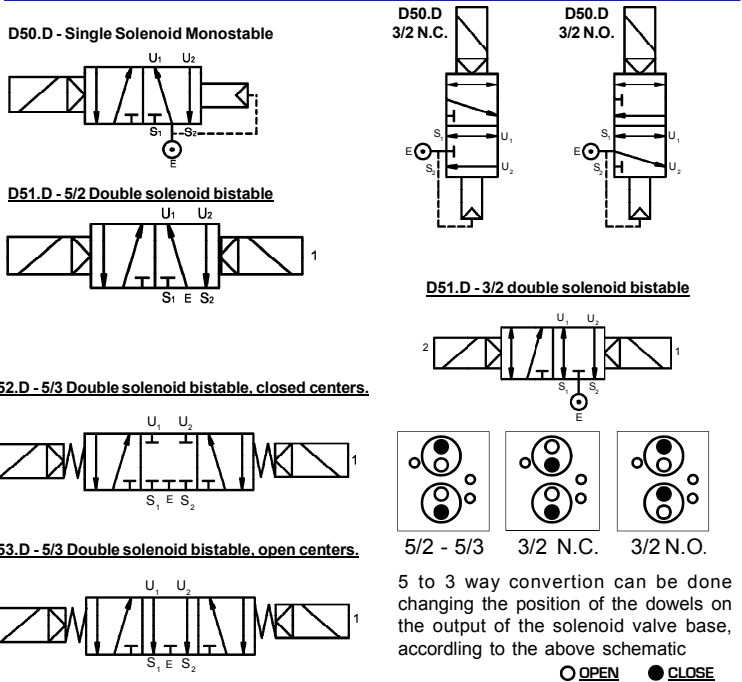
Stainless steel internal parts. Stainless steel spring. 360° degrees orientable solenoid. Mountable in any position.

ELECTRICAL SPECIFICATIONS

Light alloy explosion-proof "Ex-d" (EN60079-1) solenoid housing. Electrical and mechanical parts certified according to 2014/34/UE ("ATEX") directive, suitable to control the flow of inert and/or flammable gases or liquids. Internal and external anti-twist ground connecting screws. Inside terminal board suitable for cable up to 2,5 mm².

- cable entry threaded: 1/2" Gk UNI-6125 (standard)
1/2" NPT, ISO M20x1.5 (available upon request)
- protection class: IP-67
- Ex protection class: Ex-d II 1G/2GDc (IIB o IIC)
- Temperature class: T6 or T5 (t.amb -20 ÷ +40 °C)
T5 or T4 (t.amb -20 ÷ +60 °C) upon request.
T5 or T4 (t.amb -60 ÷ +60 °C) upon request⁽¹⁾
- Coil insulation class: F (155°C) - H (180°C) upon request.
- Winding wire class: H (180°C)
- Duty: Continuous (S.I.) 100% ED
- Power consumption: Alternate current 11VA (inrush 28VA).
Direct current 11W.
- Tolleranza tensione: ± 10% (standard) others available upon request
- Voltage tolerance: ± 10%
- Insulation: >1000 MOhm
- Dielectrical Strength: >2000 V/1'
- Standard voltages 12, 24, 48, 110, 115, 125, 220, 240 Volt
- DC=₍₂₎ o AC~(50/60Hz): other voltages available upon request.

OPERATION AND AVAILABLE CONFIGURATIONS



5 to 3 way conversion can be done changing the position of the dowels on the output of the solenoid valve base, according to the above schematic
 OPEN CLOSE

SPECIFICATIONS AND AVAILABLE OPTIONS

MODEL	ORIFICE DIAMETER mm	BODY RATING	PRESSURES IN BAR			Flow factor kv (liters/min.')	WEIGHT Kg.
			MIN./MAX. OPERATING DIFFERENTIAL PRESSURE				
			MIN.	MAX. AC~	MAX. DC=		
D 5 0	7	10	3	10	10	12.5	1.2
D 5 1	7	10	3	10	10	12.5	1.5
D 5 2	7	10	3	10	10	12.5	1.5
D 5 3	7	10	3	10	10	12.5	1.5

suffix (options available upon request): ⁽¹⁾ "LT" (low t.amb. certificate), ⁽²⁾ "V" (spike suppressor), ⁽³⁾ "AP" (High pressure version)- ⁽⁴⁾ "H2O" (for water).

a	b	c	d	e
Body material T Brass. N Nickel-plated brass	Port size C 1/4" GAS D 1/4" NPT	Seals material 0 Buna N 1 FPM 7 HNBR	Protection class B Ex-d IIB C Ex-d IIC	Optional features X Stable Manual operator.

Le caratteristiche possono subire variazioni senza preavviso / Characteristics may change without notice.

Rev. W1-ENG 2016