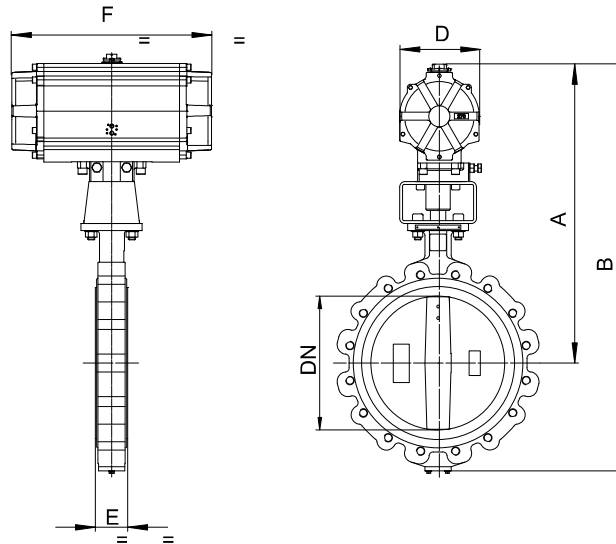


Butterfly valve "LUG" type PN10, GGG40 cast iron, GGG40 nickel coated disc, EPDM seat with pneumatic actuator.



Art. 8P024100

Valve With Double Acting Actuator

DN	350	400	450	500	600
PN	10	10	10	10	10
A	709	798	820	955	1111
B	968	1107	1147	1316	1570
D	186	217	217	249	290
E	80	107	119	132	156
F	500	579	579	690	672
ACT.	DA 160	DA 200	DA 200	DA 230	DA 270
RI	4236	4171	4171	4239	4172

Art. 8P024200

Valve With Spring Return Actuator

DN	350	400	450	500	600
PN	10	10	10	10	10
A	843	949	971	1155	-
B	1102	1258	1298	1516	-
D	249	290	290	402	-
E	80	107	119	132	-
F	690	672	672	881	-
ACT.	SR 230	SR 270	SR 270	SR 330	-
RI	4894	4193	4193	4895	-

Actuator air supply pressure minimum 6 Bar